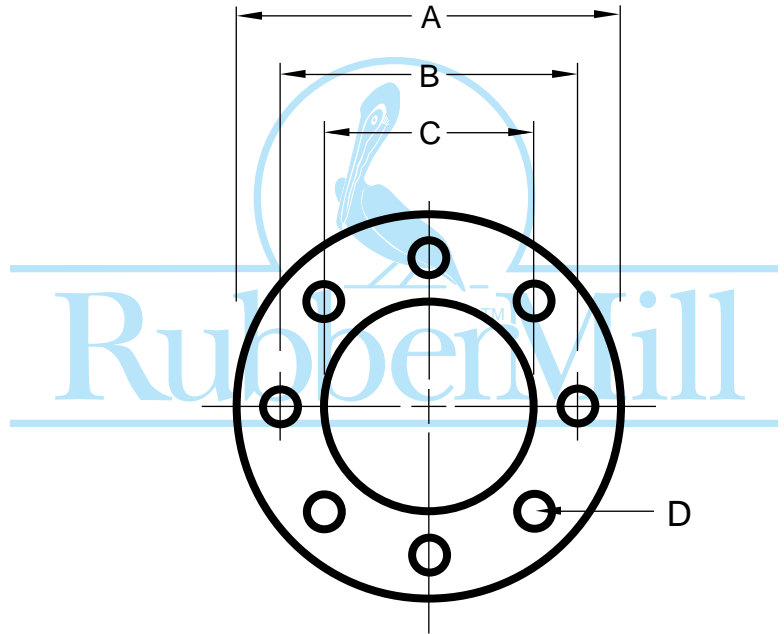
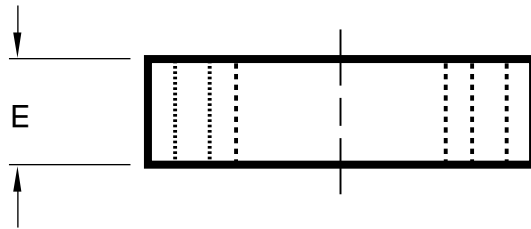


Print and Fax, or Print/Scan and Email this page to submit your Request for Quote
Fax to: (336) 622-1685 **Email to: info@rubbermill.com**

48. Gasket



A _____

B _____

C _____

D (Bolt Hole Dia.) _____

E _____

Number of Holes _____

Name: _____ Title: _____

Company: _____

Street Address: _____

City: _____ State: _____ Zip: _____

Phone: _____ Fax: _____

Email: _____

Customer Part Number/Description: _____

Material: _____ Hardness: _____

Order Quantity: _____ Estimated Annual Usage: _____

Additional Information: _____

Please submit as much information as possible to ensure an accurate and competitive estimate. RubberMill, Inc. will quote RMA commercial tolerances unless specified otherwise. Please see our technical section for additional compound, hardness and tolerance information. Thank you for contacting RubberMill.



Talk to a Person, Not a Machine! · 336-622-1680 · www.RubberMill.com