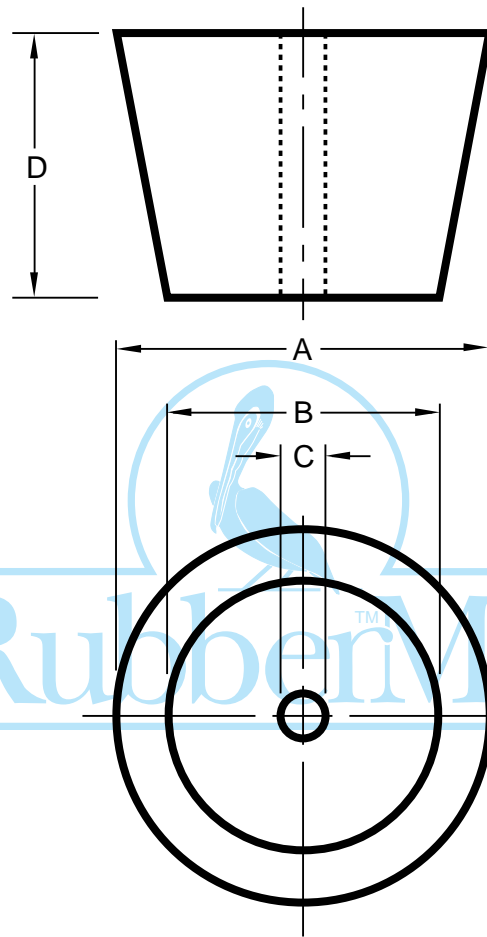


Print and Fax, or Print/Scan and Email this page to submit your Request for Quote
Fax to: (336) 622-1685 **Email to: info@rubbermill.com**

32. Stopper, One Hole



A _____
 B _____
 C _____
 D _____

Name: _____ Title: _____
 Company: _____
 Street Address: _____
 City: _____ State: _____ Zip: _____
 Phone: _____ Fax: _____
 Email: _____

Customer Part Number/Description: _____
 Material: _____ Hardness: _____
 Order Quantity: _____ Estimated Annual Usage: _____
 Additional Information: _____

Please submit as much information as possible to ensure an accurate and competitive estimate. RubberMill, Inc. will quote RMA commercial tolerances unless specified otherwise. Please see our technical section for additional compound, hardness and tolerance information. Thank you for contacting RubberMill.



Talk to a Person, Not a Machine! · 336-622-1680 · www.RubberMill.com